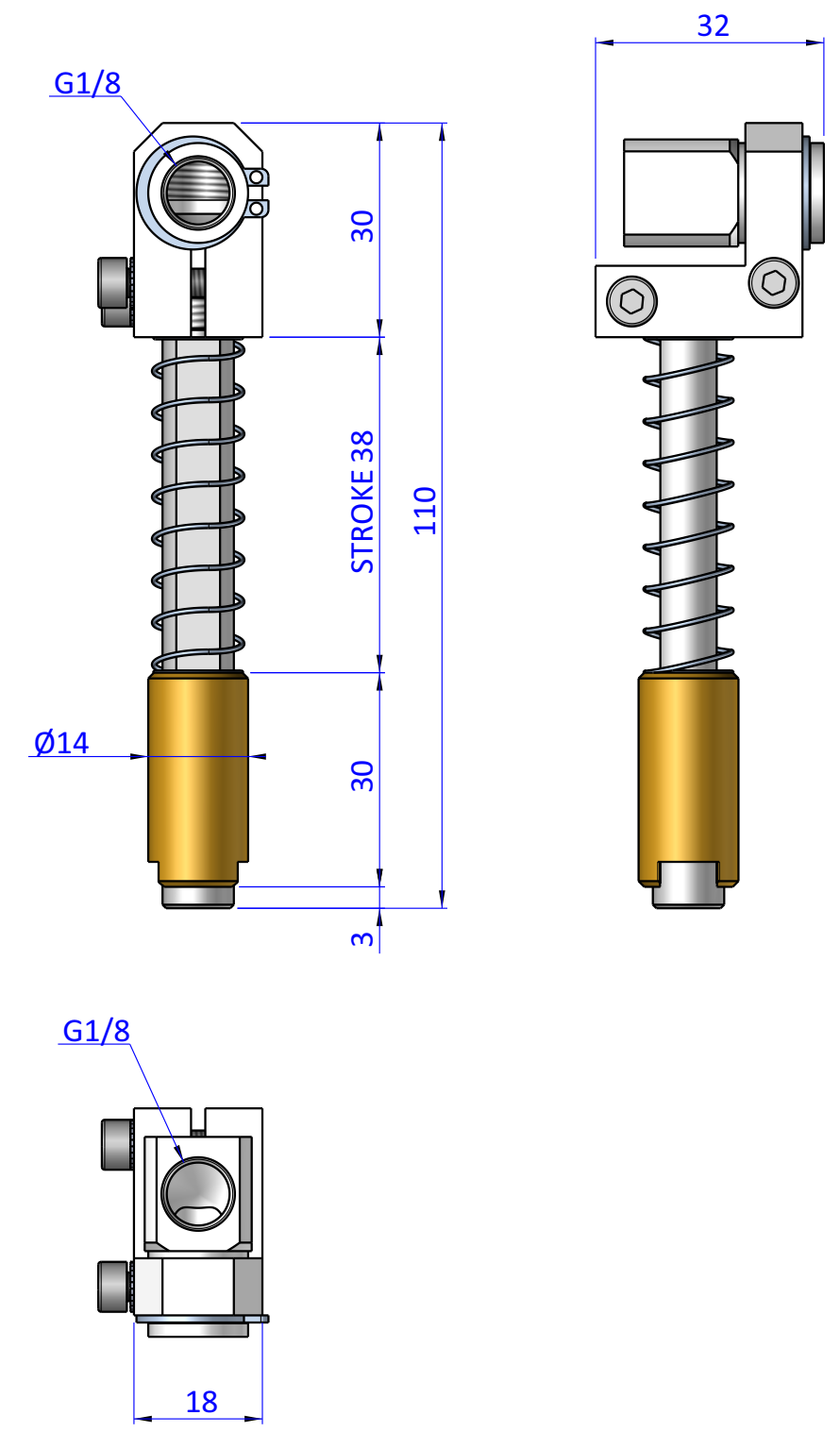
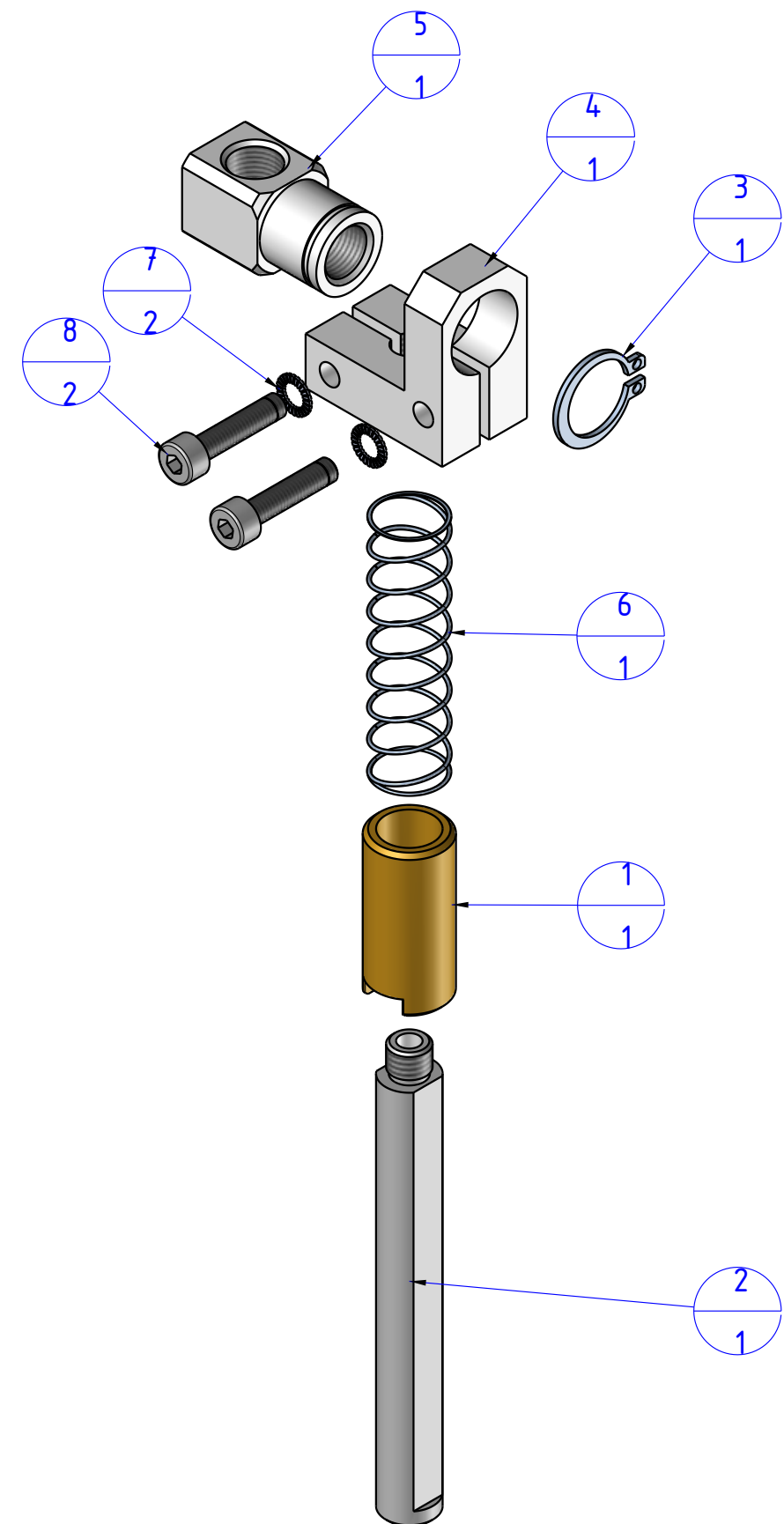

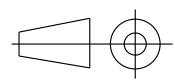


THE PROPERTY OF THE DRAWING IS ESTABLISHED BY LAW. IT IS FORBIDDEN TO PRODUCE OR SHOW IT TO THIRD PART. WITHOUT A WRITTEN AGREEMENT.

Item	Name	Q.ty
1	05.01.001.03.14	1
2	05.01.001.05	1
3	A.ELA14	1
4	GG.S.01.02	1
5	GG.S.02.02	1
6	M.12x50	1
7	R.4.SCH	2
8	V.TCE4x18	2



Format A3
UNI 936-76

 FPS FPSERVICES AUTOMATION			DESIGNED FROM FPS Automation	REVIEW A
GENERAL TOLERANCE UNI - ISO 2768 CLASSE f	DESCRIPTION CA.GGS141840	DATE 09/09/2020	WEIGHT 0,085kg	CODE CA.GGS141840